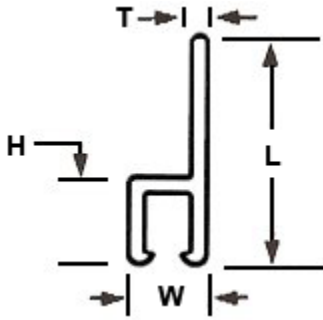
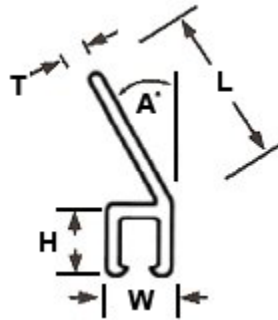


### STRAIGHT FLANGE



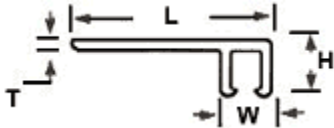
Product Code	H	W	L	T
A200.68	.23	.23	.68	.045
A00.87	.23	.23	.87	.045
B00.75	.26	.26	.75	.045
B001.00	.26	.26	1.00	.062
B001.38	.26	.26	1.38	.050
C00.75	.31	.30	.75	.045
C00.88	.32	.32	.88	.050
C001.40	.32	.32	1.24	.052
C002.15	.32	.31	1.40	.025
D001.20	.40	.37	1.20	.055
D001.63	.38	.38	1.63	.055
D003.40	.40	.37	3.40	.060
F001.32	.52	.48	1.32	.055
F001.81	.52	.48	1.81	.055
F005.47	.53	.48	5.47	.085
G001.34	.59	.47	1.34	.060
G002.00	.59	.48	2.00	.060
G005.50	.61	.50	5.50	.070

### ANGLED FLANGE



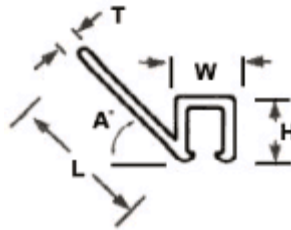
Product Code	H	W	L	T	A
A30.75	.23	.23	.75	.045	30
A4.050	.23	.24	.50	.045	40
B401.18	.26	.26	1.18	.062	40
C45.98	.31	.30	.98	.050	45
C452.00	.31	.30	2.00	.050	45
D45.88	.38	.35	.88	.060	45
F451.43	.52	.44	1.43	.055	45
G451.36	.59	.47	1.36	.055	45

### RIGHT ANGLED FLANGE



Product Code	H	W	L	T
A90.65	.23	.23	.65	.045
B901.25	.26	.26	1.25	.050
C90.98	.31	.30	.98	.050
C901.25	.31	.30	1.25	.050
D901.15	.35	.39	1.15	.055
F901.38	.50	.44	1.38	.055
G901.83	.59	.47	1.83	.055

### REVERSE ANGLED FLANGE



Product Code	H	W	L	T	A
A45R.69	.24	.24	.69	.050	45
C22R1.0	.32	.31	1.00	.50	22
C45R.88	.32	.31	.88	.050	45
D22R1.3	.38	.35	1.30	.060	22
D45R.88	.38	.35	.88	.055	45
F45R1.60	.52	.44	1.60	.055	45
F60R1.64	.59	.47	1.64	.062	60