

DESIGNFLEX®

FELTON INCORPORATED

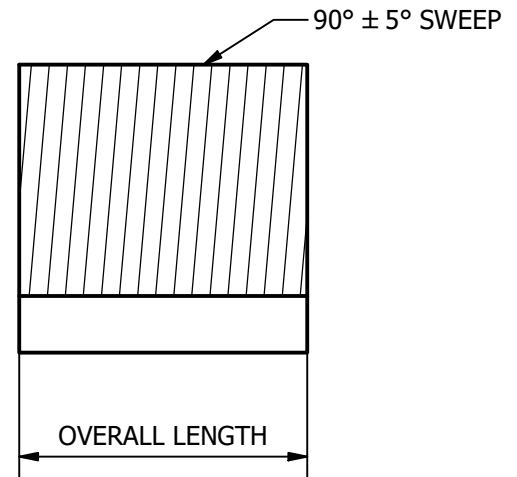
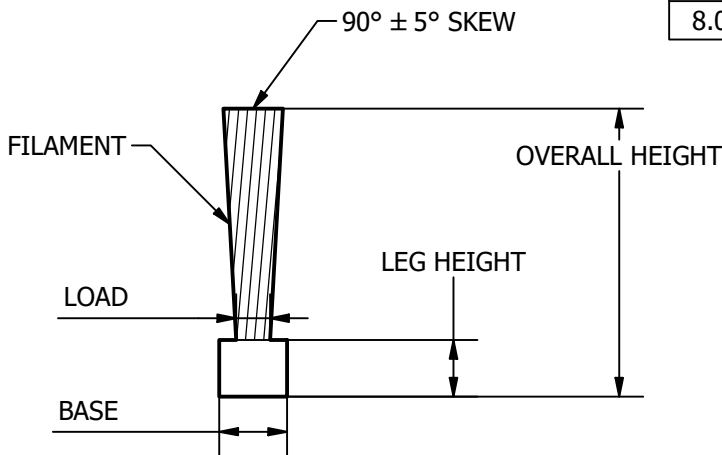
7 BURTON DRIVE, LONDONDERRY, NEW HAMPSHIRE 03053
(603) 425-0200 www.FeltonInc.com

This document and the information contained herein is confidential and proprietary in nature and at all times shall remain the property of Felton Incorporated (Felton) and be used solely for the purpose for which it is intended. Specifically, where furnished to a customer of Felton in connection with a product. It shall be used solely for the purpose of inspection, installation, and/or maintenance of the product; and where furnished to a supplier of Felton, the information shall be used solely in the performance of the supplier's obligations under its agreement with Felton. Unless otherwise specifically authorized in writing by Felton, the information contained, herein shall not be disclosed or otherwise made available, in any form or manner, to third parties or used by the recipient for any purpose other than as set forth above. This document must be returned to Felton upon demand, along with any copies.

By reviewing the information contained in this document, you hereby agree to all of the terms and conditions set forth above.

DIE SIZES AND TOLERANCES (MILLIMETERS)

DIE SIZE (BASE X LEG)	BASE TOLERANCE	LEG TOLERANCE	LOAD	LOAD TOLERANCE
2.3 X 2.5	± 0.4	± 0.4	0.70	± 0.25
2.5 X 2.5	± 0.4	± 0.4	0.90	± 0.25
2.5 X 3.8	± 0.4	± 0.5	0.90	± 0.25
2.5 X 4.5	± 0.4	± 0.5	0.90	± 0.25
2.8 X 2.5	± 0.4	± 0.5	1.20	± 0.25
3.4 X 3.4	± 0.5	± 0.5	1.70	± 0.4
3.5 X 5.0	± 0.5	± 0.5	1.75	± 0.4
3.8 X 2.5	± 0.5	± 0.5	1.90	± 0.4
4.0 X 5.0	± 0.5	± 0.5	2.00	± 0.4
4.1 X 2.3	± 0.5	± 0.4	2.00	± 0.4
4.1 X 2.5	± 0.5	± 0.4	2.00	± 0.4
4.1 X 2.9	± 0.5	± 0.4	2.00	± 0.4
4.1 X 5.0	± 0.5	± 0.5	2.00	± 0.4
4.3 X 2.9	± 0.5	± 0.4	2.15	± 0.4
4.4 X 5.5	± 0.5	± 0.5	2.20	± 0.4
4.5 X 2.5	± 0.5	± 0.4	2.25	± 0.4
5.0 X 4.0	± 0.63	± 0.5	2.50	± 0.5
5.0 X 5.0	± 0.63	± 0.63	2.00	± 0.5
5.0 X 6.0	± 0.63	± 0.63	2.50	± 0.5
6.0 X 5.0	± 0.63	± 0.63	3.00	± 0.63
6.0 X 6.0	± 0.63	± 0.63	3.00	± 0.63
8.0 X 8.0	± 0.75	± 0.75	4.00	± 0.63



NOTES:

SUPPLIED IN CUT LENGTHS OR SPOOLED

FILAMENT

- OVERALL HEIGHT MINIMUM = 12.7MM [0.500"] ± .5MM [0.020"]
- OVERALL HEIGHT MAXIMUM = 152.4MM [6.000"] ± 3.2MM [0.125"]
- MATERIAL: NYLON, POLYPROPYLENE, POLYESTER
- FILAMENT Ø RANGES FROM 0.15MM - 0.5MM [0.006" - 0.020"]
- FILAMENT Ø CANNOT EXCEED 10% OF DIE WIDTH
- COLOR: STANDARD IS BLACK, OTHER COLORS UPON REQUEST
- LEVEL OR LIGHT CRIMP